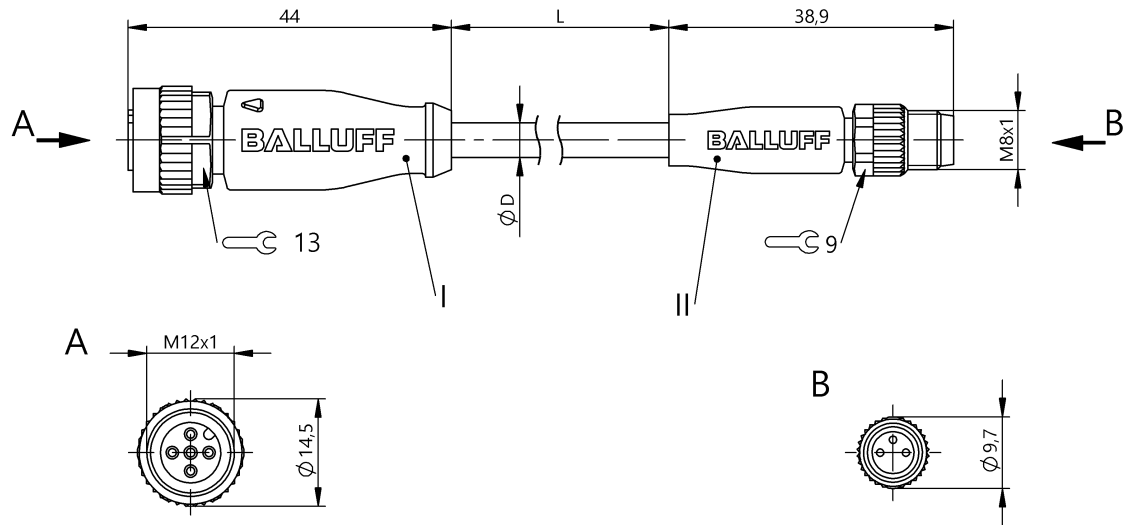


Double-Ended Cordsets  
**BCC M415-M313-3F-602-PX0334-020**  
**Order Code: BCC050A**

**BALLUFF**



**Basic features**

|                     |                     |
|---------------------|---------------------|
| Approval/Conformity | CE<br>cULus<br>WEEE |
|---------------------|---------------------|

**Display/Operation**

|                            |              |
|----------------------------|--------------|
| Function indicator (Pin 4) | LED yellow   |
| Power indicator            | LED green/no |

**Electrical connection**

|                                     |  |
|-------------------------------------|--|
| Bending radius min., fixed cable    | 5 x D                                  |
| Bending radius min., flexible cable | 10 x D                                 |
| Cable                               | PUR black, 2 m, drag chain compatible  |
| Cable diameter D                    | 4.30 mm ±0.20 mm                       |
| Cable, bending cycles min.          | 5 mil.                                 |
| Cable, torsion stress               | ±180°/m                                |
| Conductor cross-section             | 0.34 mm <sup>2</sup>                   |
| Connection 1                        | M12x1-Female, straight, 5-pin, A-coded |
| Connection 2                        | M8x1-Male, straight, 3-pin, A-coded    |
| Number of conductors                | 3                                      |
| System                              | Molded/Molded                          |

**Electrical data**

|                                  |        |
|----------------------------------|--------|
| Operating voltage U <sub>b</sub> | 30 VDC |
| Rated current (40 °C)            | 4.0 A  |

**Environmental conditions**

|   |                               |
|---|-------------------------------|
| Cable temperature UL max., fixed routing    | 80 °C                         |
| Cable temperature UL max., flexible routing | 80 °C                         |
| Cable temperature, drag chain               | -25...60 °C                   |
| Cable temperature, fixed routing            | -50...90 °C                   |
| Cable temperature, flexible routing         | -25...90 °C                   |
| IP rating                                   | IP67, IP68, IP69K/IP67, IP69K |

**Material**

|                          |  |
|--------------------------|--|
| Cable jacket, material   | PUR  |
| Material contact carrier | PUR/PUR  |
| Material contacts        | Bronze/Brass                                       |
| Material cover nut       | Die-cast zinc/Die-cast zinc or nickel plated brass |
| Material grip            | PUR/PUR  |

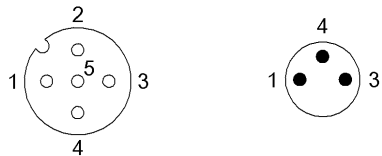
**Mechanical data**

|   |                       |
|---|-----------------------|
| Acceleration max., drag chain           | 5 m/s <sup>2</sup>    |
| Cable jacket, color                     | black                 |
| Cable length L                          | 2.00 m                |
| Cable properties                        | drag chain compatible |
| Horizontal travel permitted, drag chain | 5 m                   |
| Tightening torque pigtail               | 0.6 Nm/0.4 Nm         |
| Traverse speed max., drag chain         | 200 m/min             |
| Vertical travel permitted, drag chain   | 5 m                   |

**Remarks**

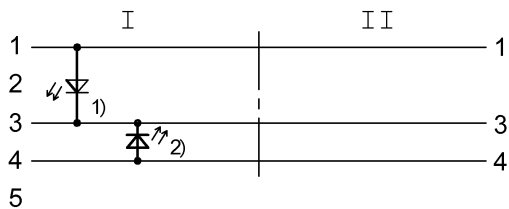
Cable construction acc. to UL-AWM Style 20549  
 Halogen-free per DIN VDE 0472 Part 815  
 Silicone-free  
 Flame resistance acc. to IEC 60332-2  
 Enclosure rating per IEC 60529 or 20653, only in screwed state with the associated mating piece.

**Connector Drawings**



- |                 |              |
|-----------------|--------------|
| I               | II           |
| PIN 1: brown    | PIN 1: brown |
| PIN 2: not used | PIN 3: blue  |
| PIN 3: blue     | PIN 4: black |
| PIN 4: black    |              |
| PIN 5: not used |              |

**Wiring Diagrams**



- 1) Green LED = Power
- 2) Yellow LED = Function